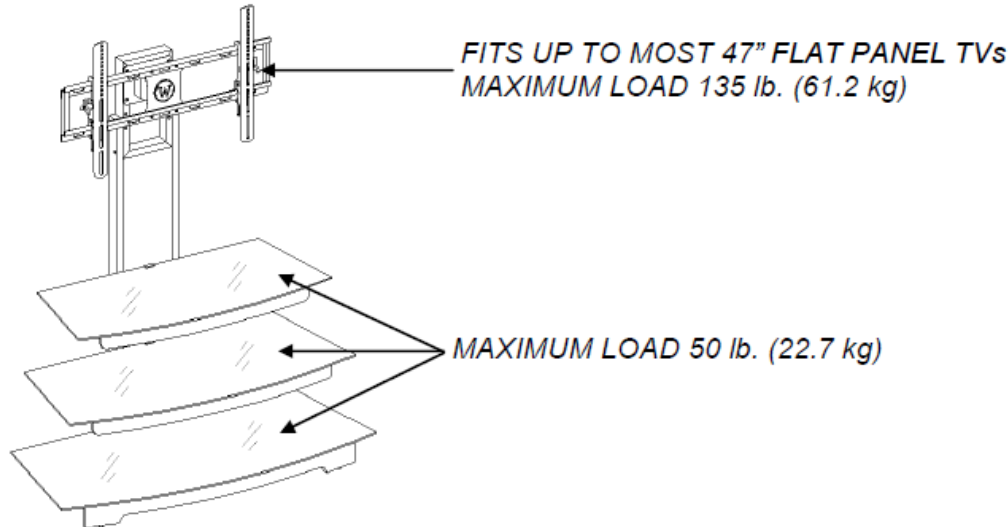


# WHALEN FURNITURE FLAT PANEL CONSOLE

Model # PRO-9

## SAFETY & WARNING INFORMATION



### **WARNING**

THIS UNIT IS NOT INTENDED FOR USE WITH CRT TVS. USE ONLY WITH FLAT PANEL TVS AND AUDIO / VIDEO EQUIPMENT MEETING RECOMMENDED SIZE / WEIGHT LIMITS. NEVER USE WITH LARGER/HEAVIER FLAT PANEL TVS OR EQUIPMENT THAN RECOMMENDED. TO AVOID INSTABILITY, PLACE FLAT PANEL TV IN CENTER OF UNIT; DO NOT ALLOW TV TO OVERHANG UNIT IN ANY DIMENSION. CRT TVS, IMPROPERLY POSITIONED FLAT PANEL TVS, OR FLAT PANEL TVS OR OTHER EQUIPMENT THAT EXCEED RECOMMENDED SIZE AND WEIGHT LIMITS COULD FALL OFF OR BREAK THE UNIT, CAUSING POSSIBLE SERIOUS INJURY.

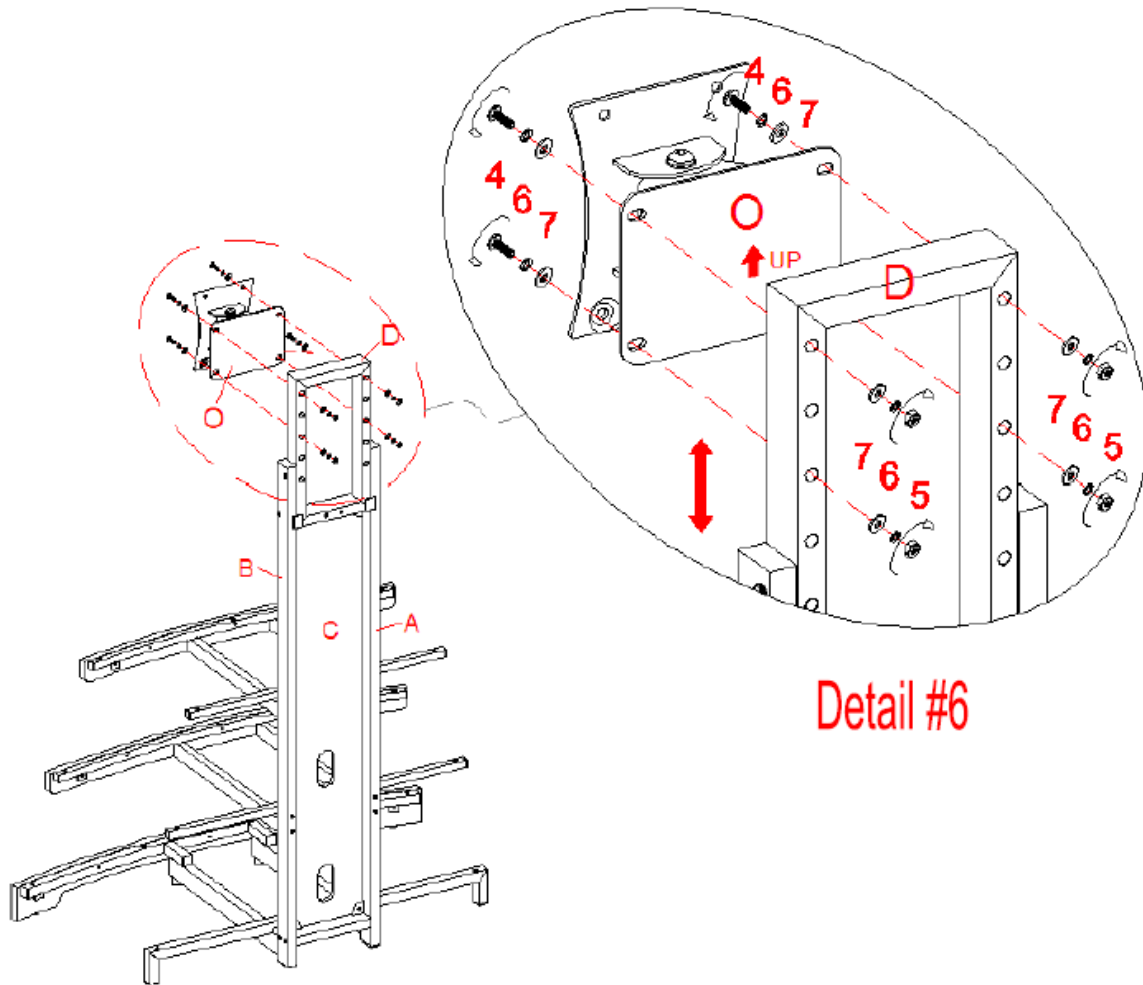
*Note: Please do not fully tighten all bolts until you finish assembling all parts. Once assembled, go back and fully tighten all bolts. This will make it easier during assembly of unit.*

# WHALEN FURNITURE FLAT PANEL CONSOLE

Model # PRO-9

## SAFETY & WARNING INFORMATION

Note: The Back Top Frame can provide three height options for your TV set. Refer to your TV size, adjust the Swiveling Bracket at your desired height to offer optimum viewing.



Note: Lean the TV up against a wall or other solid surface when attaching with the Monitor Brackets. DO NOT place the TV face down on the glass this may cause permanent damage.

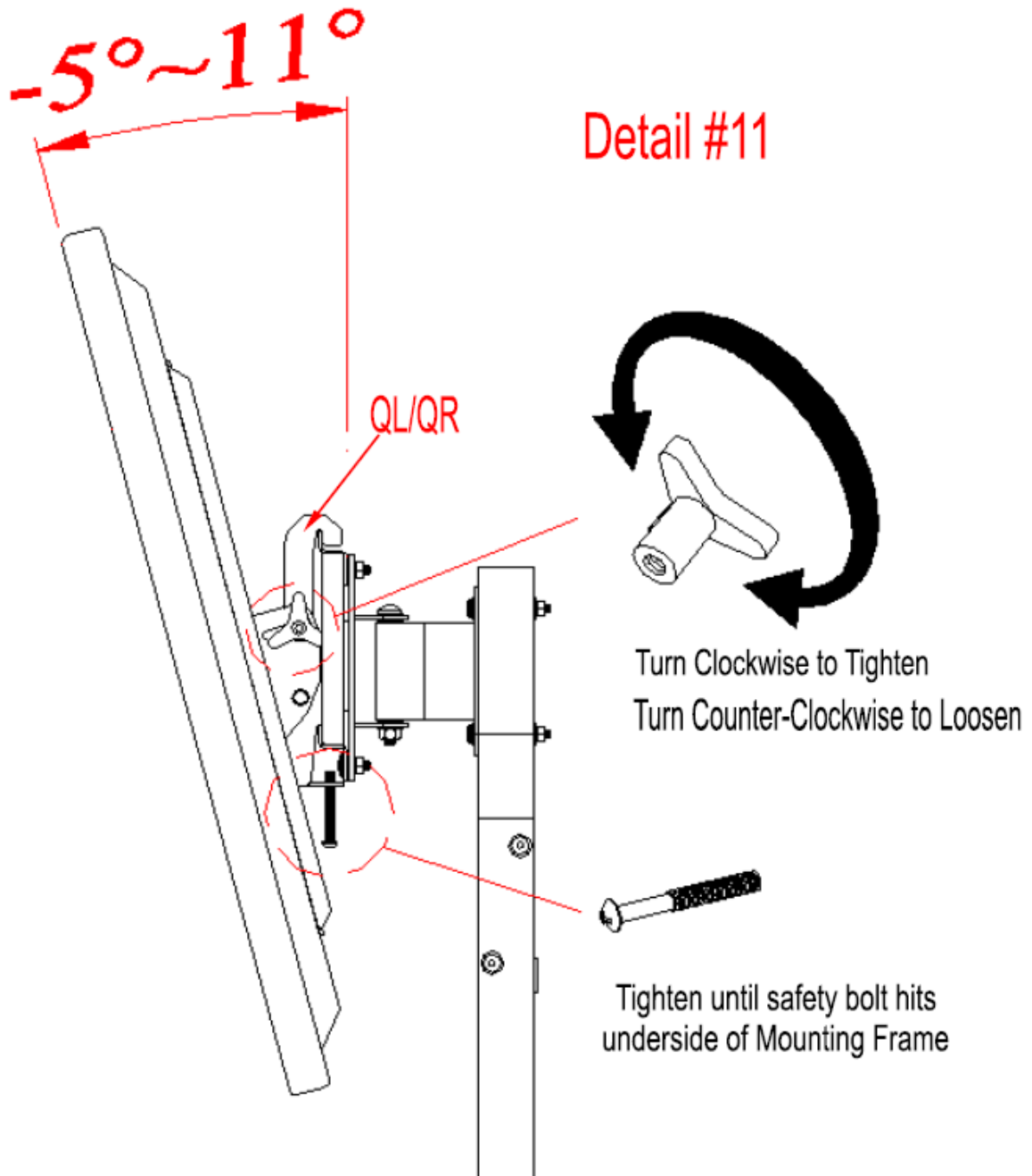
**⚠ WARNING** DO NOT LAY THE TELEVISION FACE DOWN ON THE GLASS

# WHALEN FURNITURE FLAT PANEL CONSOLE

Model # PRO-9

## SAFETY & WARNING INFORMATION

Note: If you need to remove the TV, make sure both Safety Bolts are disengaged fully.



Note: If glass is scratched you can minimize the damage by using a BLACK marker and filling in scratched area from underneath.

# WHALEN FURNITURE FLAT PANEL CONSOLE

Model # PRO-9

## SAFETY & WARNING INFORMATION

Note: You must install the Tipping Restraint Hardware with the unit in use to prevent any accidents or damage to the unit.

