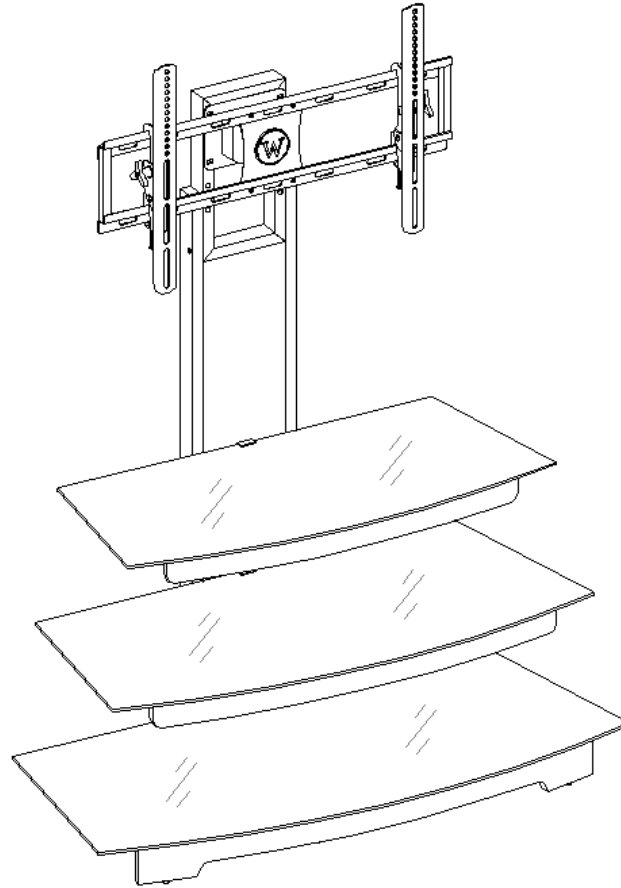




LOT NUMBER: \_\_\_\_\_  
DATE PURCHASED: \_\_/\_\_/\_\_

## Flat Panel Console (PRO-9)



### ADULT ASSEMBLY REQUIRED

If you have any questions regarding assembly or if you are missing parts, DO NOT return this item to the store where it was purchased. Please call our toll-free customer service number and have your instructions and parts list ready to provide the model name, part name or factory number:

1-866-942-5362      8:30 a.m. - 4:30 p.m. PST, Monday - Friday  
ONLINE: [www.whalenstyle.com](http://www.whalenstyle.com)      EMAIL: [parts@whalenfurniture.com](mailto:parts@whalenfurniture.com)



#### Video Instruction Guides

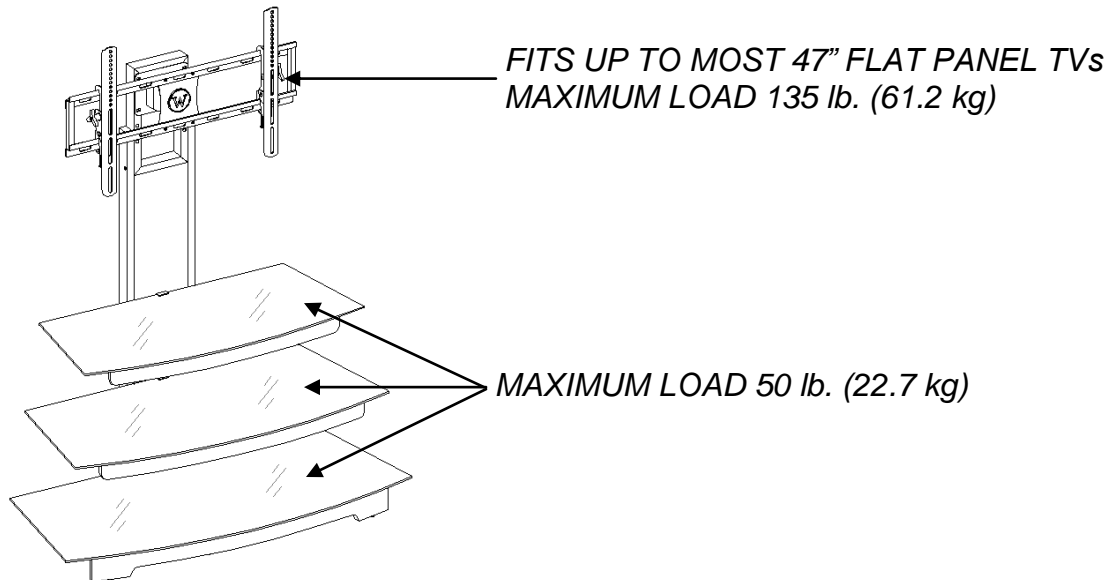
Go to <http://whalen.showuhow.com> to view step-by-step instructional videos for assembling and installing your product. Enter the following product number on the ShowUhow homepage.

**PRO-9**

**THIS INSTRUCTION BOOKLET CONTAINS IMPORTANT SAFETY INFORMATION.  
PLEASE READ AND KEEP FOR FUTURE REFERENCE.**

## MAXIMUM RECOMMENDED WEIGHT LOADS

MANUFACTURER: Whalen Furniture  
 CATALOG: Flat Panel Console (PRO-9)  
 DATE OF MANUFACTURE: April, 2011  
 MADE IN CHINA



### **WARNING**

THIS UNIT IS NOT INTENDED FOR USE WITH CRT TVS. USE ONLY WITH FLAT PANEL TVS AND AUDIO / VIDEO EQUIPMENT MEETING RECOMMENDED SIZE / WEIGHT LIMITS. NEVER USE WITH LARGER/HEAVIER FLAT PANEL TVS OR EQUIPMENT THAN RECOMMENDED. TO AVOID INSTABILITY, PLACE FLAT PANEL TV IN CENTER OF UNIT; DO NOT ALLOW TV TO OVERHANG UNIT IN ANY DIMENSION. CRT TVS, IMPROPERLY POSITIONED FLAT PANEL TVS, OR FLAT PANEL TVS OR OTHER EQUIPMENT THAT EXCEED RECOMMENDED SIZE AND WEIGHT LIMITS COULD FALL OFF OR BREAK THE UNIT, CAUSING POSSIBLE SERIOUS INJURY.

## GENERAL INFORMATION, TIPS & TRICKS

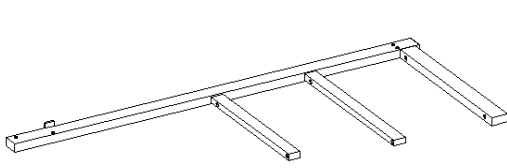
1. Please read the Assembly Instructions prior to assembling this product.
2. Remove all hardware from box and sort by size.
3. Check to see that all hardware and parts are present BEFORE assembling.
4. Ask a friend to assist you with the assembly of this furniture.
5. To avoid damage, assemble the product on a sturdy, level and protective surface.
6. Please wait until all steps are completed before tightening bolts.
7. Make sure all bolts are tightly fastened before the unit is used.

This product is sold with Tip Restraint Hardware kit. You must install the Tipping Restraint Hardware between the wall and the TV stand to prevent any accidents or damages. When properly installed, this restraint can provide protection against the unexpected tipping of the unit due to small tremors, bumps or climbing. The restraint is only a deterrent and is not a substitute for proper adult supervision. Use of tip-over restraints may only reduce, but not eliminate, the risk of tip-over.

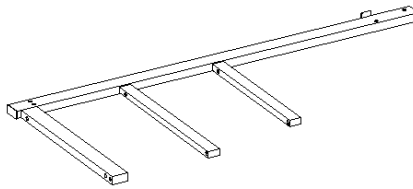
Please call for replacement parts or assistance: **1-866-942-5362**

## Parts List

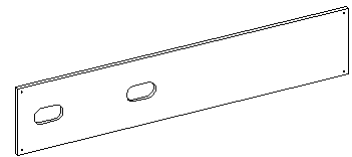
Please read completely through the instructions and verify that all parts listed are present before beginning assembly.



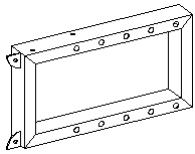
A- Left Side Frame (1)



B- Right Side Frame (1)



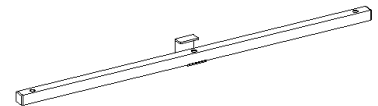
C- Back Panel (1)



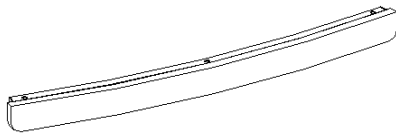
D - Back Top Frame (1)



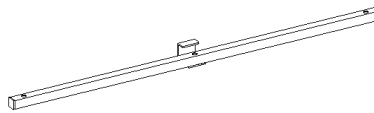
E- Back Bottom Stretcher (1)



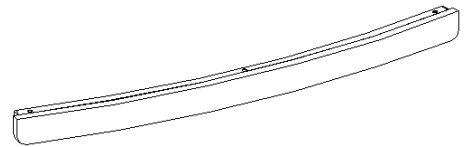
F- Top Crossbar (1)



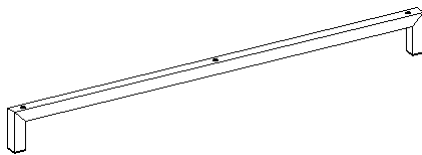
G- Top Stringer (1)



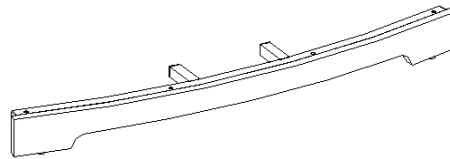
H- Middle Crossbar (1)



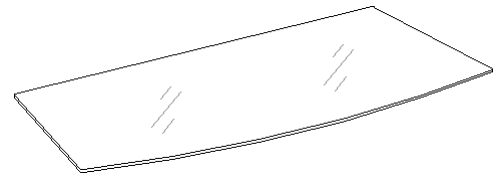
I- Middle Stringer (1)



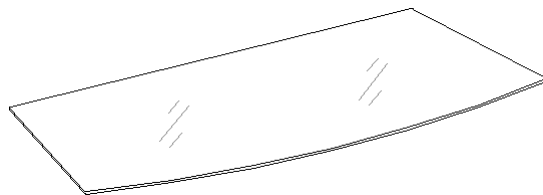
J- Bottom Brace (1)



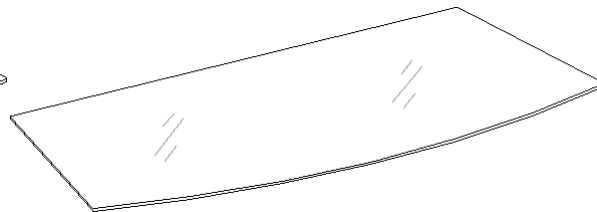
K- Bottom Stringer (1)



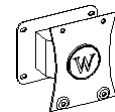
L- Top Glass (1)



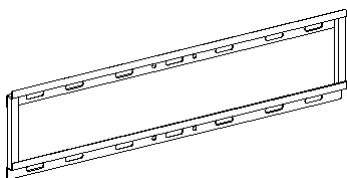
M- Middle Glass Shelf (1)



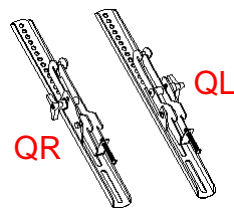
N- Bottom Glass Shelf (1)



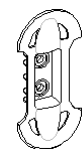
O- Swiveling Bracket (1)



P- XYZ Mounting Frame (1)



Q- Monitor Bracket (L/R) (2)

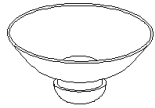


R- Cable Control (2)

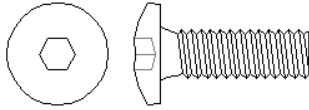
Please call for replacement parts or assistance: 1-866-942-5362

Whalen Furniture Mfg. Inc.

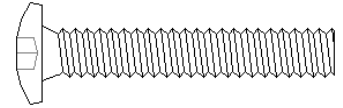
**Hardware List**



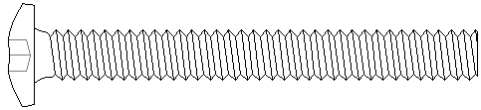
(1) Suction Cup  
(19+1 extra)



(2) 3/4" Bolt  
(8+1 extra)



(3) 1-1/2" Bolt  
(16+1 extra)



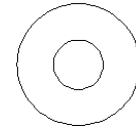
(4) 2-1/4" Bolt  
(8+1 extra)



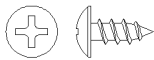
(5) Hex Nut  
(8+1 extra)



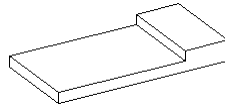
(6) Lock Washer  
(32+1 extra)



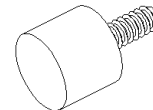
(7) Flat Washer  
(36+1 extra)



(8) #3 x 9 mm Screw  
(4+1 extra)



(9) Glass Alignment Template  
(1)



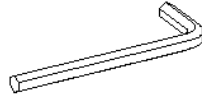
(10) Large Floor Leveler  
(2)



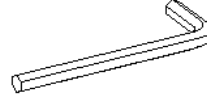
Touch-up Pen  
(1)



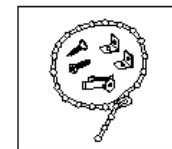
Open Wrench  
(1)



M4 Allen Wrench  
(2)

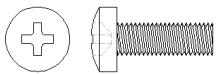


3/16" Allen Wrench  
(1)

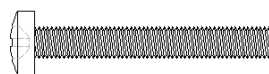


Tipping Restraint Hardware Kit (1)  
**(Inside Plastic Bag)**

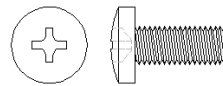
**TV Mounting Kit**



M4 x 12 Bolt (4)



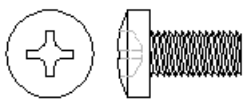
M4 x 30 Bolt (4)



M5 X 12 Bolt (4)



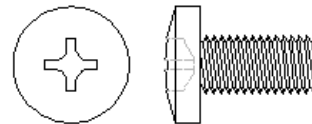
M5 x 30 Bolt (4)



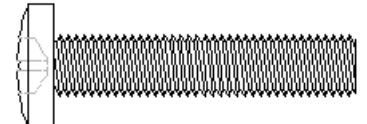
M6 x 12 Bolt (4)



M6 x 35 Bolt (4)



M8x16 Bolt (4)



M8 x 40 Bolt (4)



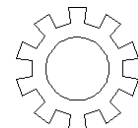
M4 Lock Washer (4)



M5 Lock Washer (4)



M6 Lock Washer (4)



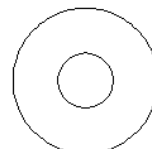
M8 Lock Washer (4)



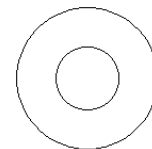
Large Spacer (4)



Small Spacer (4)



M4/M5 Flat Washer (8)



M6/M8 Flat Washer (4)

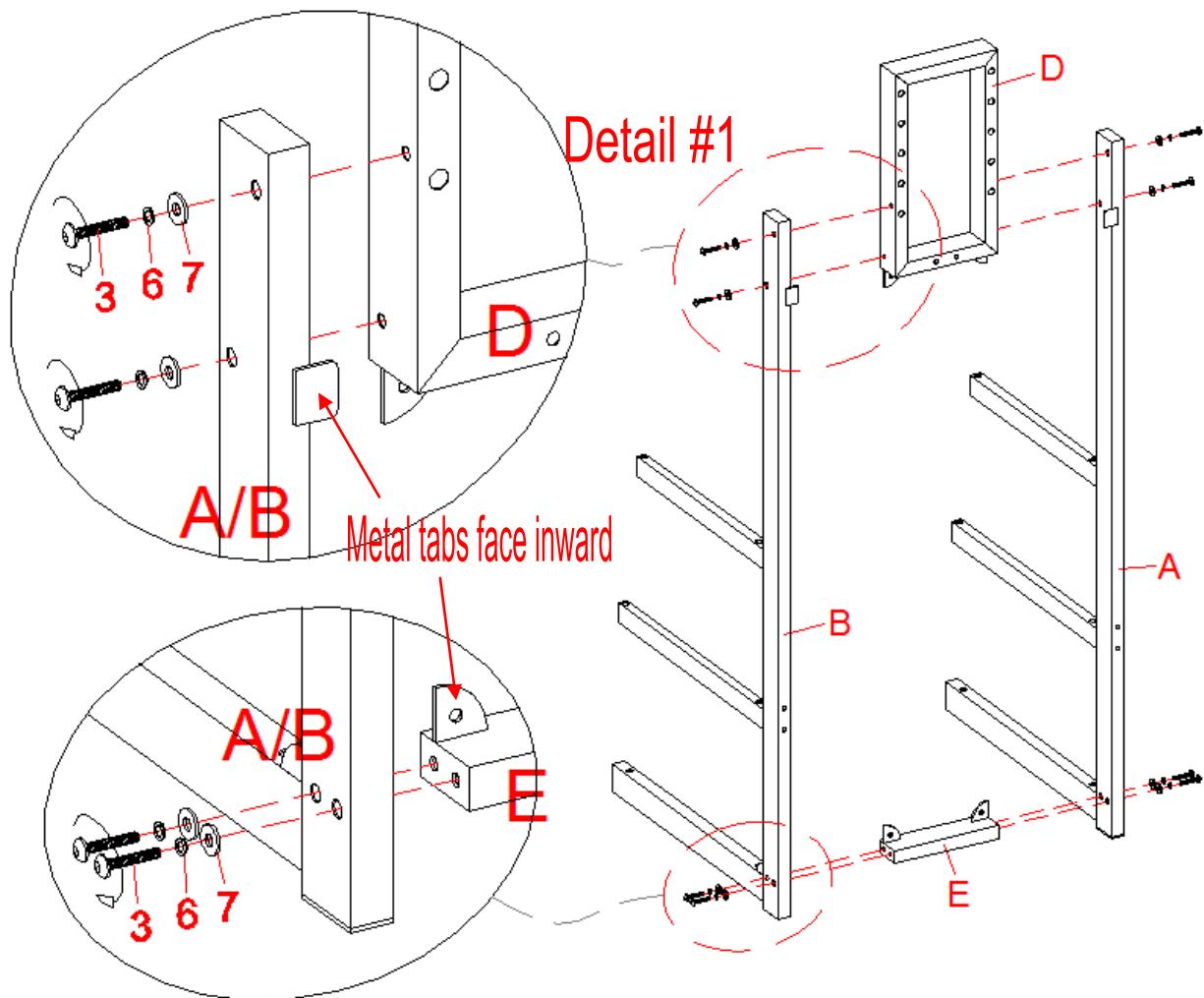
**Tools required:** Allen Wrench, Open Wrench (provided) and Phillips Screwdriver (not provided).

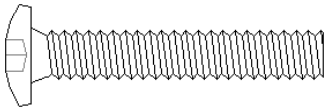

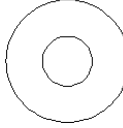
Please call for replacement parts or assistance: 1-866-942-5362

## Assembly Instructions

Note: Please do not fully tighten all bolts until you finish assembling all parts. Once assembled, go back and fully tighten all bolts. This will make it easier during assembly of unit.

1. Attach Back Top Frame (D) and Back Bottom Stretcher (E) between Left and Right Side Frame (A & B) by inserting the 1-1/2" Bolts (3) with Lock Washers and Flat Washers (6 & 7) through the pre-drilled holes of side frame into place. Make sure the metal brackets on Back Bottom Stretcher (E) facing up and pointing forward. Tighten the bolts with enclosed M4 Allen Wrench. See detail #1.

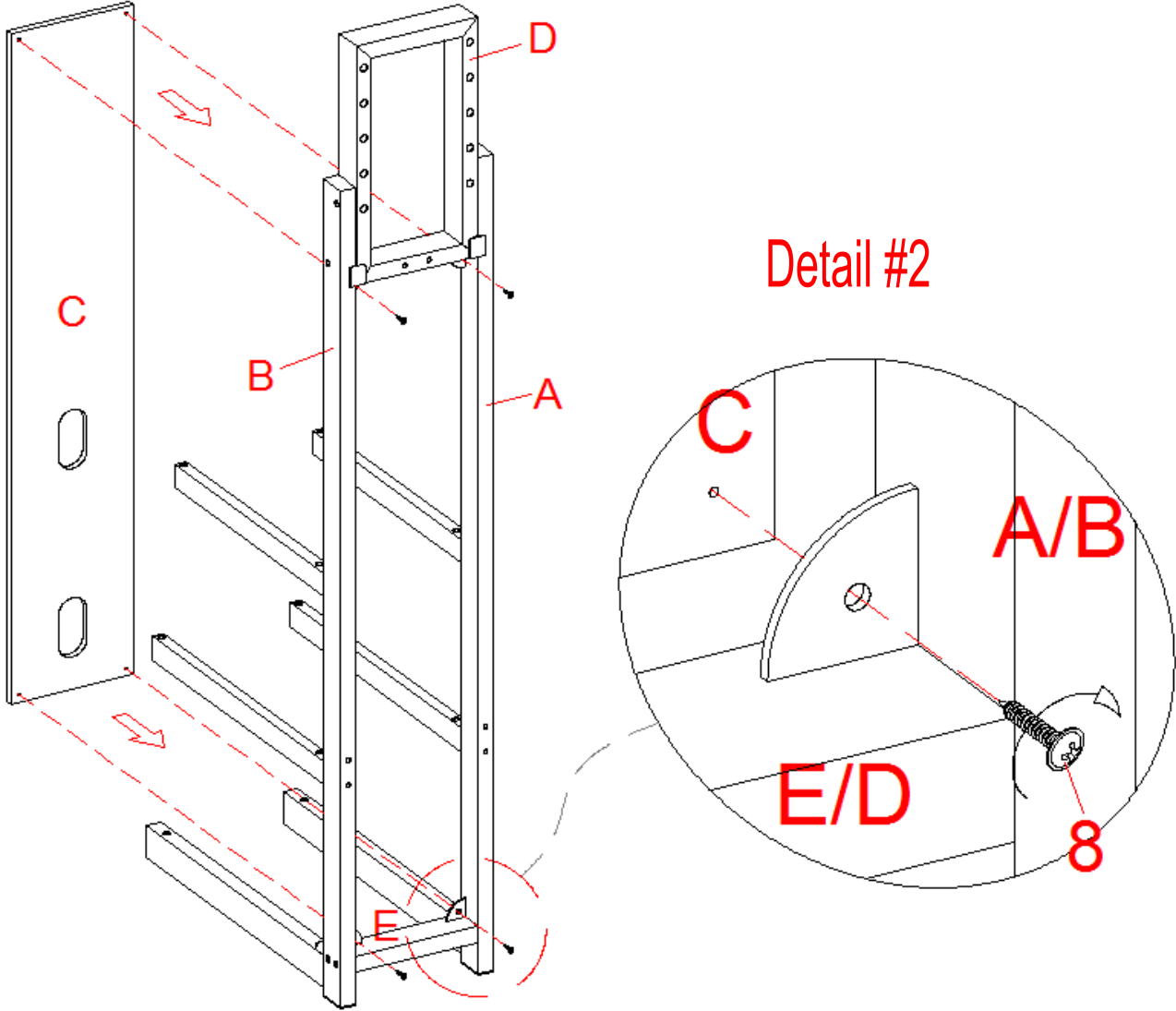


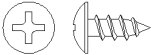
| Required hardware in this step         |   |  |   |
|--|---|--|---|
| Description                            | (3) 1-1/2" Bolt   | (6) Lock Washer  | (7) Flat Washer   |
| Sketch                                 |  |  |  |
| Qty.                                   | (8 pcs)   | (8 pcs)  | (8 pcs)   |
| <u>Tools required:</u> M4 Allen Wrench |   |  |   |

Please call for replacement parts or assistance: 1-866-942-5362

# Assembly Instructions

- 2. Pick up Back Panel (C) and fit it between the front of Left and Right Side Frames (A & B). Insert and screw four #3 x 9 mm Screws (8) through the corner brackets to secure the Back Panel in place. Tighten the screws with a Phillips Screwdriver. See detail #2.

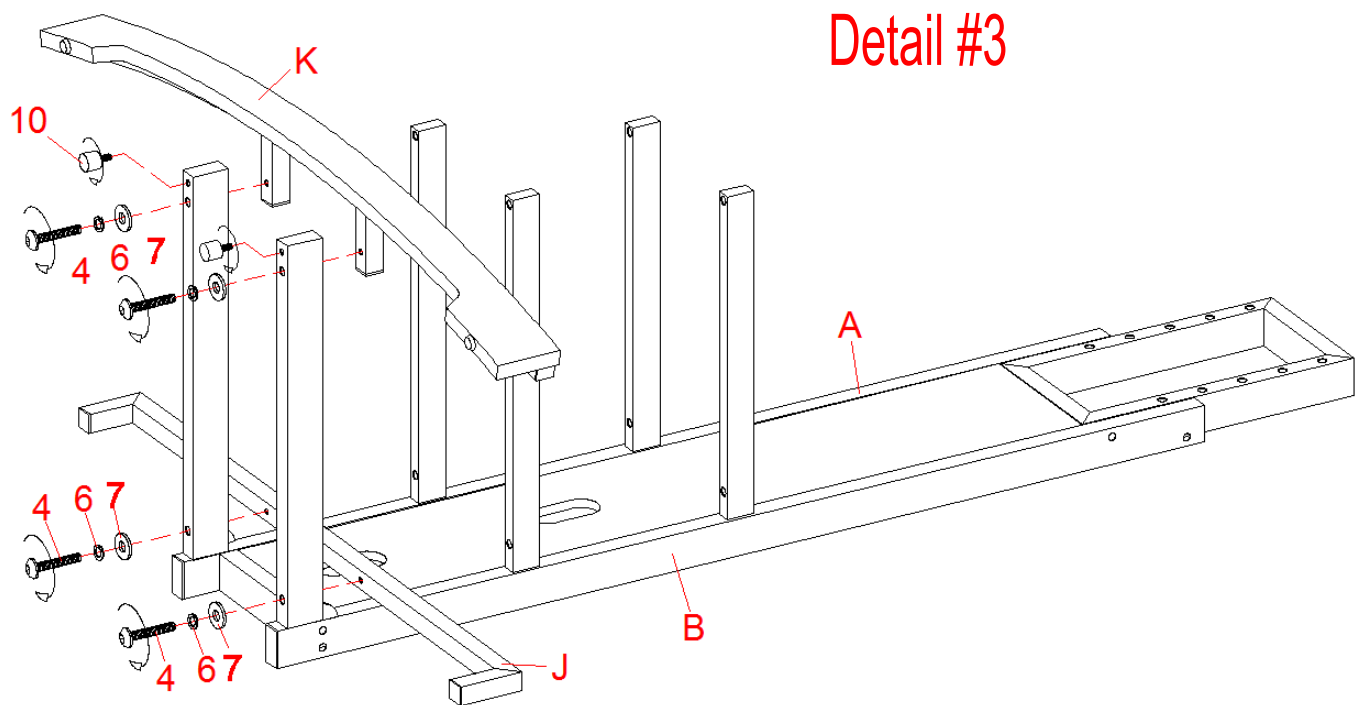


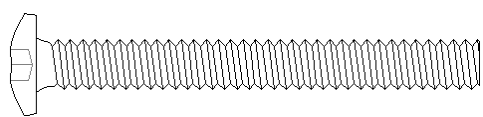

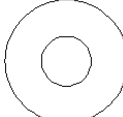
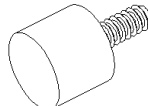
| Required hardware in this step |   |
|--------------------------------|---|
| Description                    | (8) #3 x 9mm Screw  |
| Sketch                         |  |
| Qty.                           | (4 pcs)   |
| <u>Tools required:</u>         | Phillips Screwdriver  |

Please call for replacement parts or assistance: 1-866-942-5362

## Assembly Instructions

3. Lay down the unit on a level and protective surface as shown in detail #3.
4. Attach Bottom Brace (J) and Bottom Stringer (K) to the bottom rail of Left & Right Side Frame (A & B) with four 2-1/4" Bolts (4) and Washers (6 & 7) as shown in detail #3.
5. Screw the Large Floor Levelers (10) into the front sockets underneath the bottom rail of Left and Right Side Frame (A & B). Set the Levelers to the correct height.

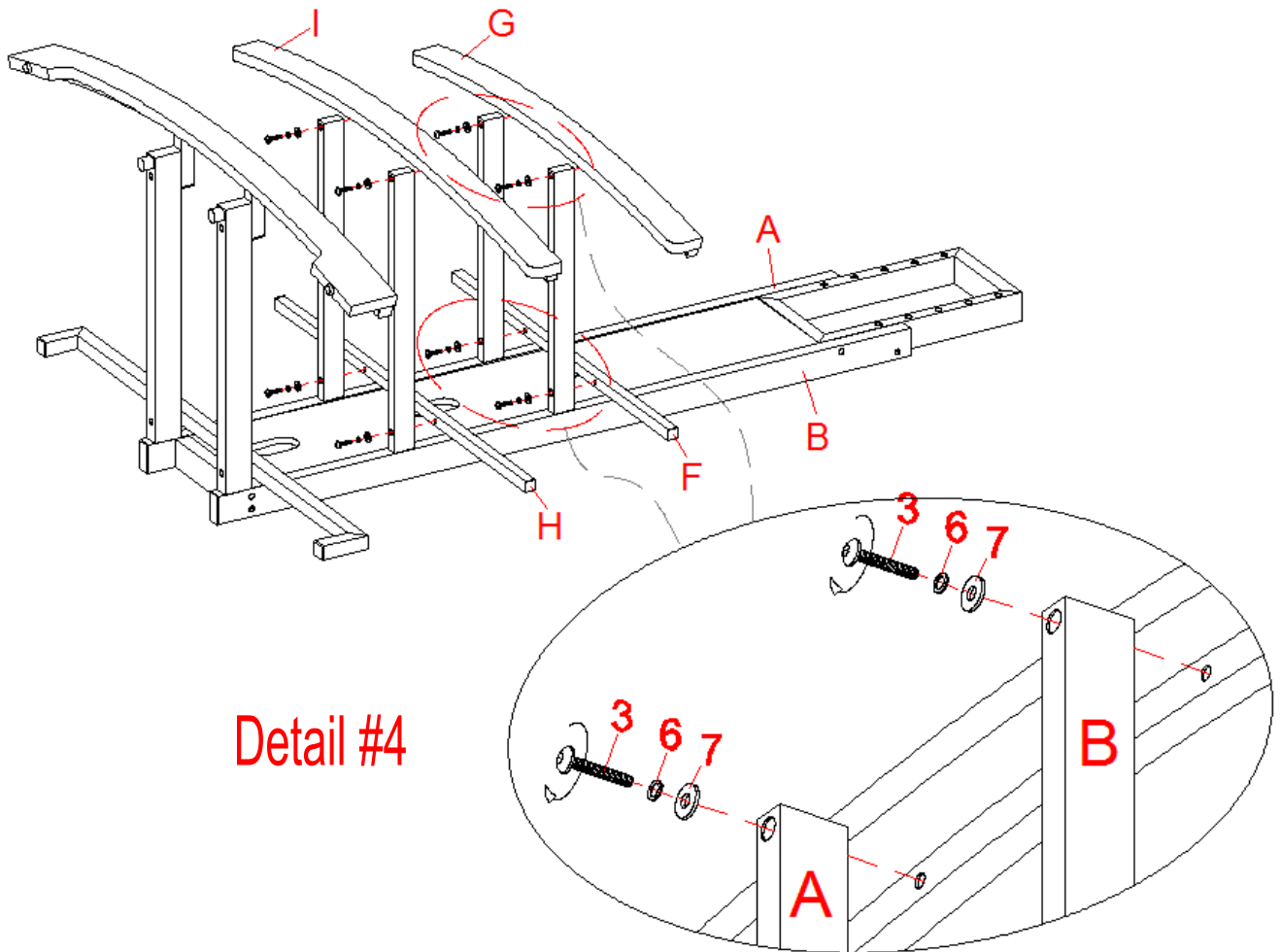


| Required hardware in this step  |   |   |   |   |
|---------------------------------|---|---|---|---|
| Description                     | (4) 2-1/4" Bolt   | (6) Lock Washer   | (7) Flat Washer   | (10) Large Floor Leveler  |
| Sketch                          |  |  |  |  |
| Qty.                            | (4 pcs)   | (4 pcs)   | (4 pcs)   | (2 pcs)   |
| Tools required: M4 Allen Wrench |   |   |   |   |

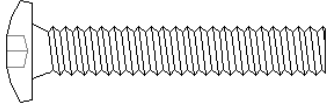
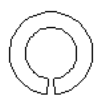
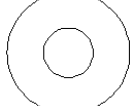
Please call for replacement parts or assistance: 1-866-942-5362

## Assembly Instructions

6. Attach Middle Crossbar (H) and Middle Stringer (I) to the middle rail of Left & Right Side Frame (A & B) using 1-1/2" Bolts (3) with Washers (6 & 7) through the pre-drilled holes on middle rails into place. Tighten the bolts with enclosed M4 Allen Wrench. See detail #4.
7. Repeat last step to attach Top Crossbar (F) and Top Stringer (G) to the top rail of Left & Right Side Frame (A & B).



Detail #4

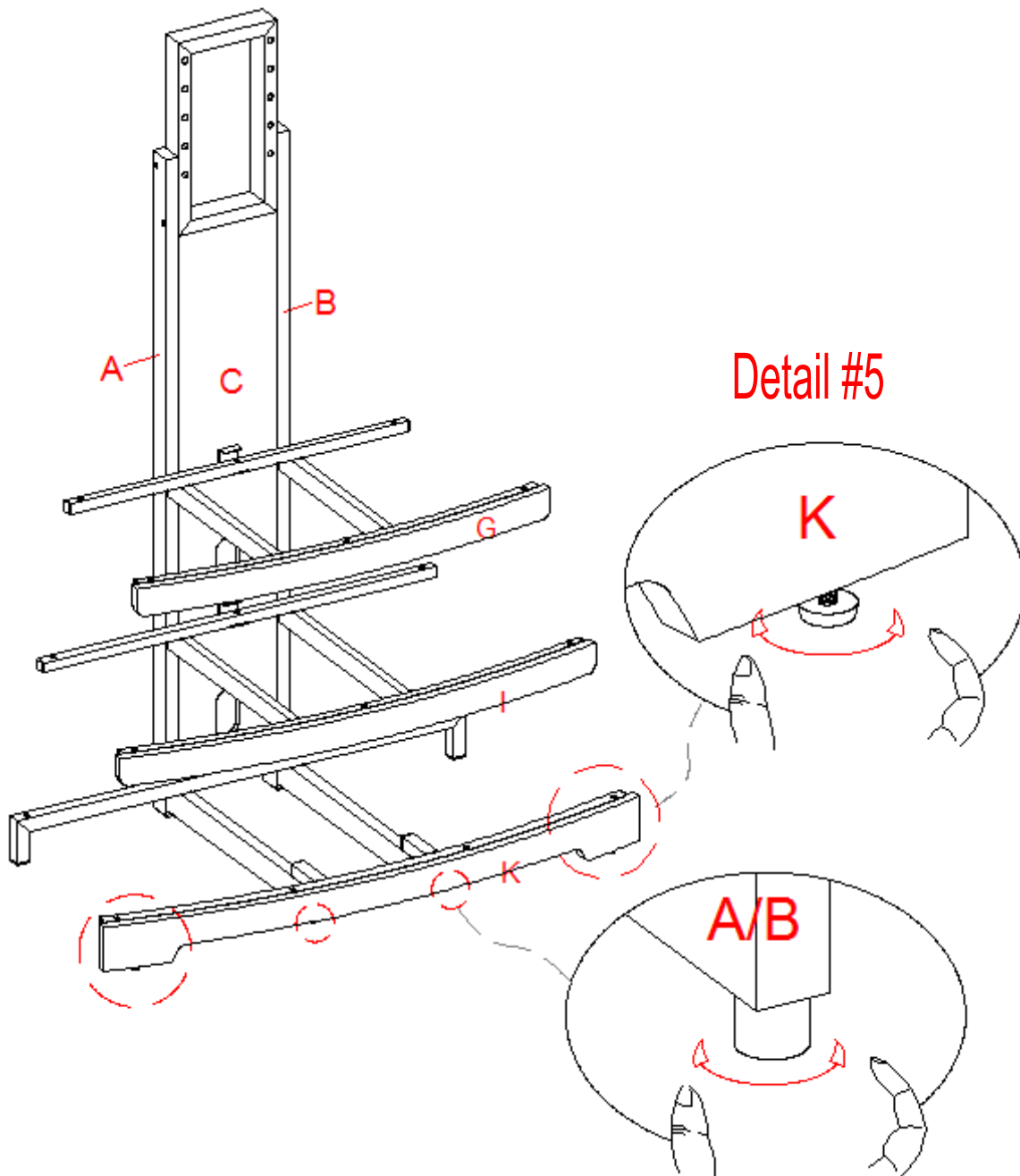
| Required hardware in this step         |   |   |   |
|--|---|---|---|
| Description                            | (3) 1-1/2" Bolt   | (6) Lock Washer   | (7) Flat Washer   |
| Sketch                                 |  |  |  |
| Qty.                                   | (8 pcs)   | (8 pcs)   | (8 pcs)   |
| <u>Tools required:</u> M4 Allen Wrench |   |   |   |

Please call for replacement parts or assistance: 1-866-942-5362



## Assembly Instructions

8. Adjust the Large Floor Levelers (10) installed and the small floor levelers pre-attached at the bottom of Bottom Stringer (K) to level the unit as shown in detail #5.



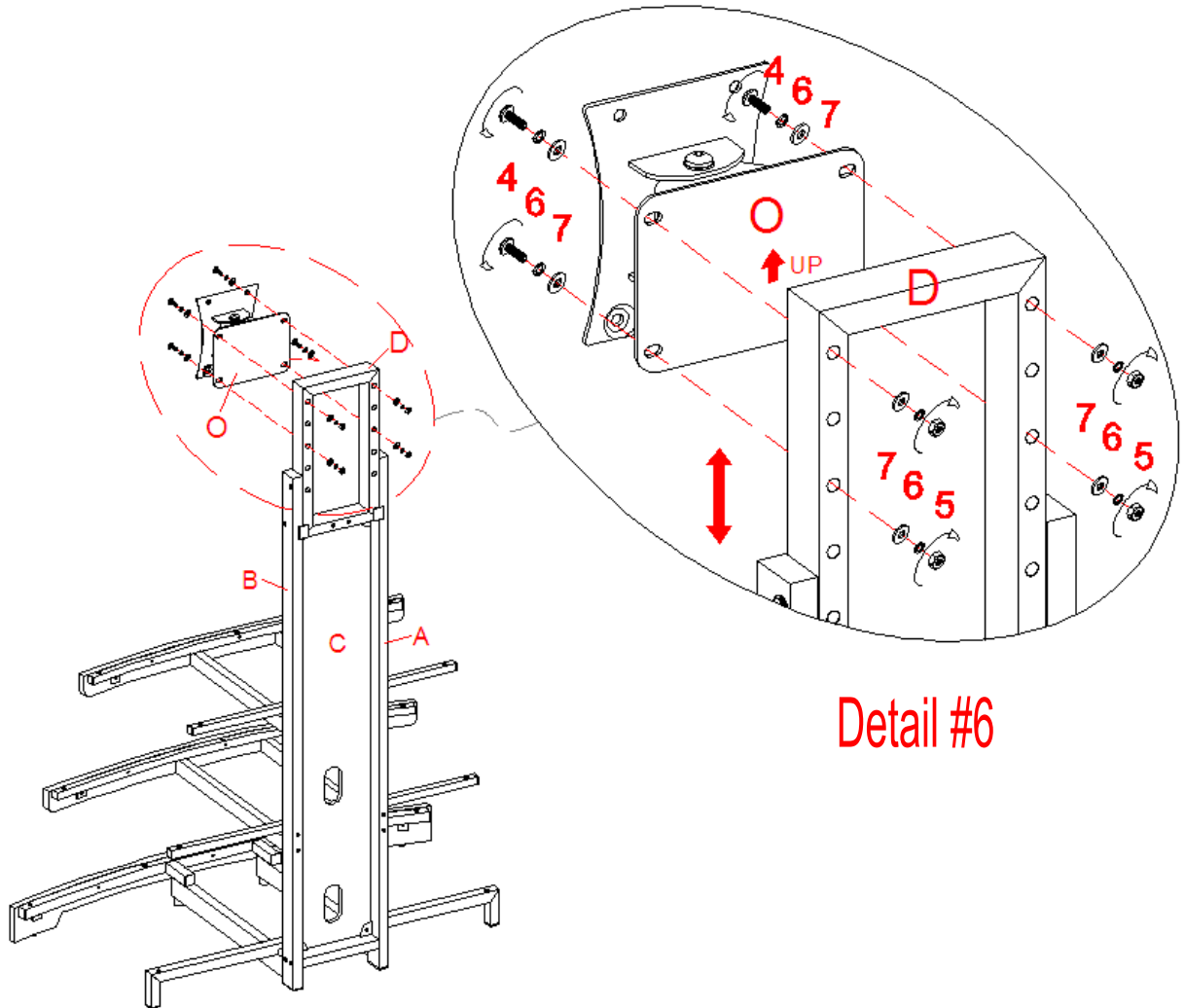
| <u>Hardware provided</u> | <u>Tools required</u> |
|--------------------------|-----------------------|
| Floor Levelers           | No tool required      |

Please call for replacement parts or assistance: 1-866-942-5362

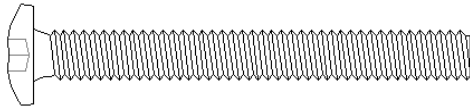


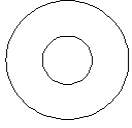
## Assembly Instructions

9. Attach Swiveling Bracket (O) to the top of Back Top Frame (D) with the pivoting bolt head up, using four 2-1/4" Bolts (4) with Washers (6 & 7) through the bracket holes and Back Top Frame and then secure with Hex Nuts (5). Securely tighten with Open Wrench and M4 Allen Wrench provided. See detail #6.

Note: The Back Top Frame can provide three height options for your TV set. Refer to your TV size, adjust the Swiveling Bracket at your desired height to offer optimum viewing.



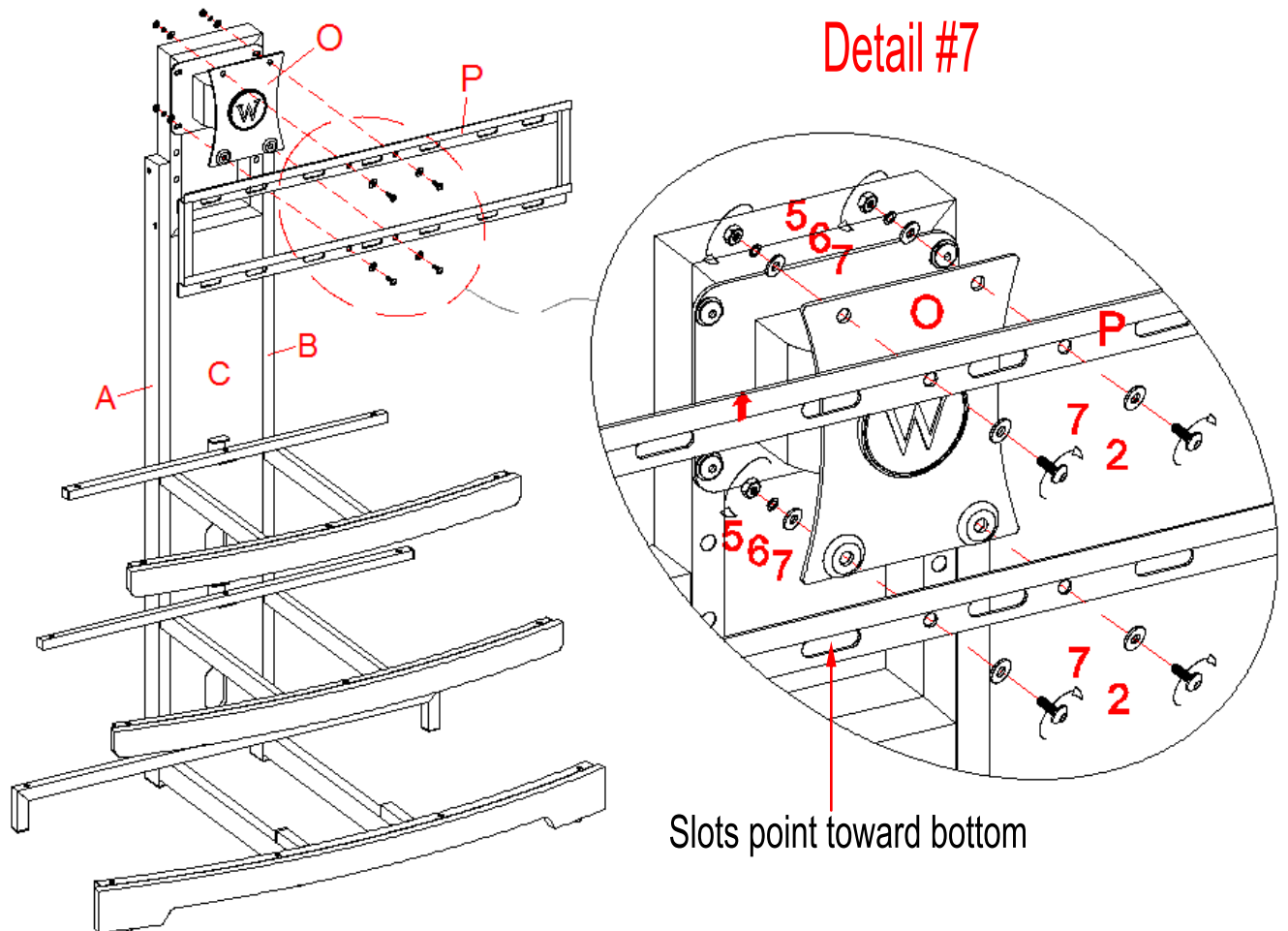
Detail #6

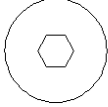


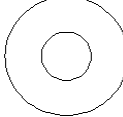
| Required hardware in this step                         |   |   |   |   |
|--|---|---|---|---|
| Description:   | (4) 2-1/4" Bolt   | (5) Hex Nut   | (6) Lock Washer   | (7) Flat Washer   |
| Sketch   |  |  |  |  |
| Qty.   | (4 pcs)   | (4 pcs)   | (8 pcs)   | (8 pcs)   |
| <u>Tools required:</u> M4 Allen Wrench and Open Wrench |   |   |   |   |

Please call for replacement parts or assistance: 1-866-942-5362

## Assembly Instructions

10. Orient XYZ Mounting Frame (P) and attach to the Swiveling Bracket (O) using four 3/4" Bolts (2) with Washers and then secure with Hex Nuts (5). Make sure the slots on the Mounting Frame bottom. Securely tighten with Open Wrench and Allen Wrench provided. See detail #7.



| Required hardware in this step                  |   |   |  |   |
|---|---|---|--|---|
| Description:                                    | (2) 3/4" Bolt   | (5) Hex Nut   | (6) Lock Washer  | (7) Flat Washer   |
| Sketch  |  |  |  |  |
| Qty.  | (4 pcs)   | (4 pcs)   | (4 pcs)  | (8 pcs)   |
| Tools required: M4 Allen Wrench and Open Wrench |   |   |  |   |

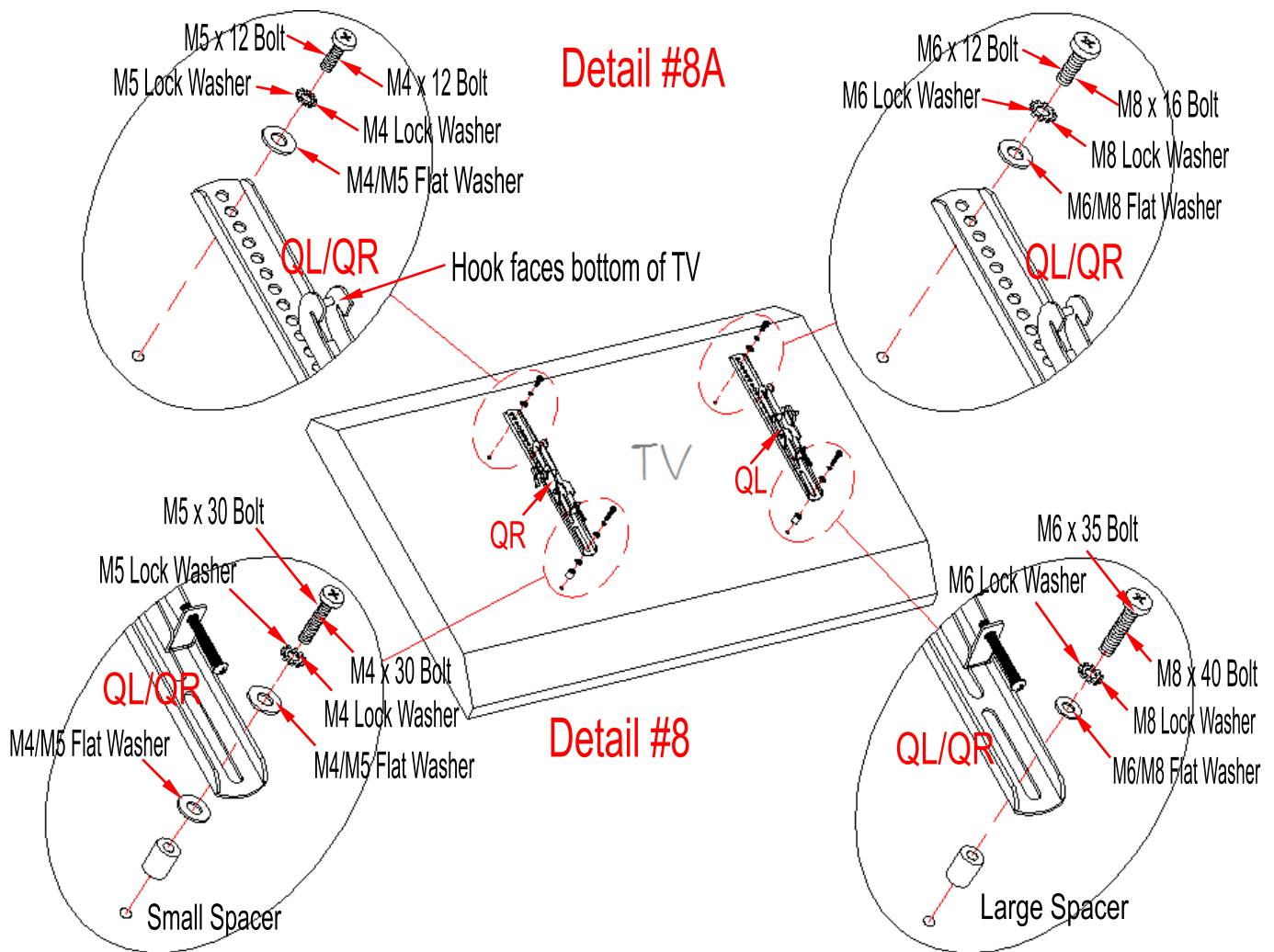
Please call for replacement parts or assistance: 1-866-942-5362

## Mounting Monitor Bracket to a television with a flat back

**Note:** For televisions with a curved back or recessed back proceed directly to step #13.

11. Determine the correct diameter of the bolt your TV requires by hand threading them into the threaded inserts on the back of the TV. If you encounter any resistance, stop immediately. If you are unable to find the correct bolt consult a local hardware store.
12. Follow the appropriate diagram below to attach Monitor Brackets (QL/QR) to the back of your TV with selected fasteners. Make sure the Monitor Brackets are centered and level with each other. Secure the bolts with a Phillips Screwdriver. **DO NOT** over tighten the bolts.

**Note:** Lean the TV up against a wall or other solid surface when attaching with the Monitor Brackets. **DO NOT** place the TV face down on the glass this may cause permanent damage.



Please call for replacement parts or assistance: 1-866-942-5362

Whalen Furniture Mfg. Inc.

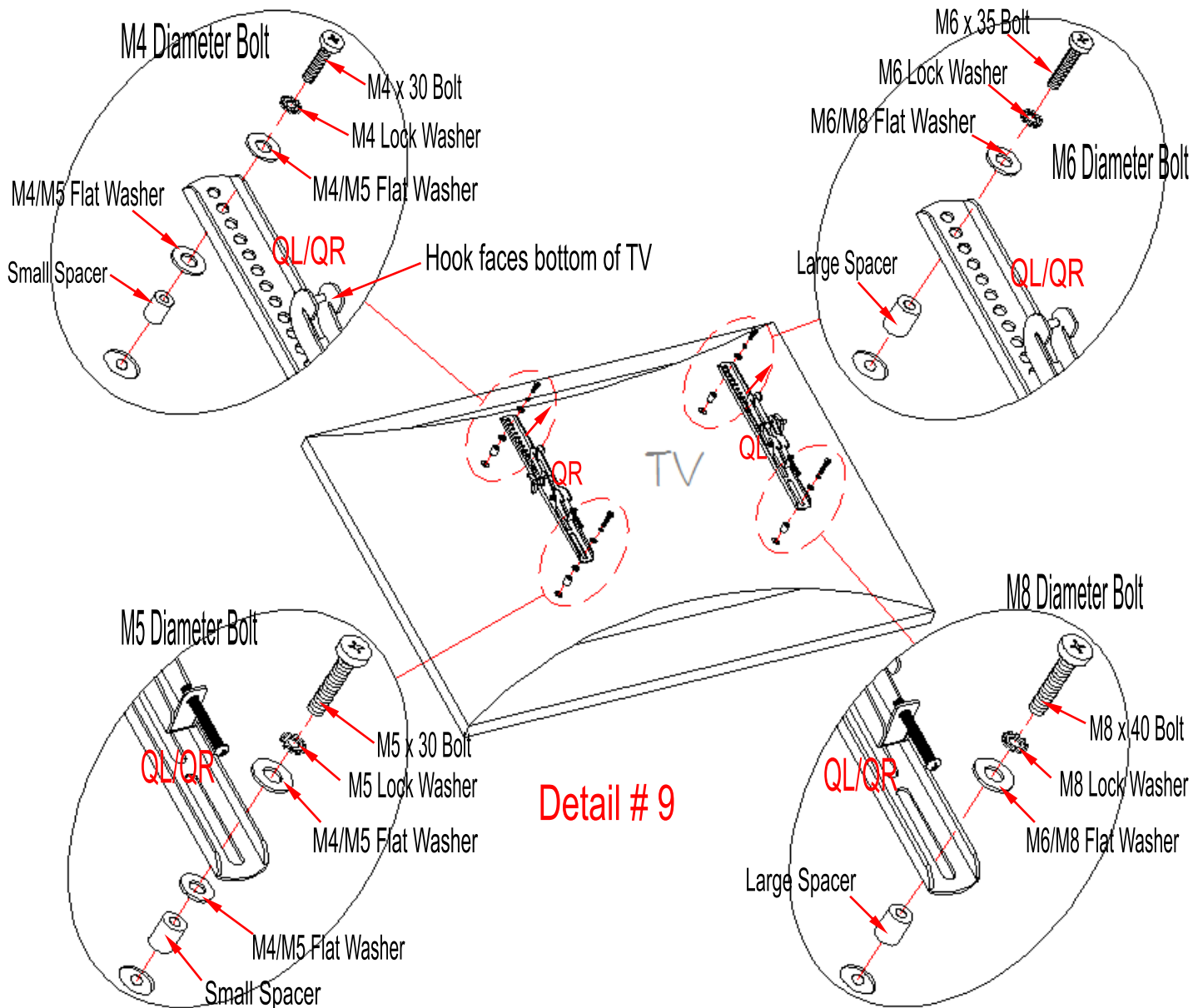
Page 12

Factory No. 33- 10944

## Mounting Monitor Bracket to a television with a curved / recess back

13. Determine the correct diameter of the bolt your TV requires by hand threading them into the threaded insert on the back of the TV. If you encounter any resistance, stop immediately. If you are unable to find the correct bolt consult a local hardware store.
14. Follow the appropriate diagram below to attach Monitor Brackets (QL/QR) to the back of your TV with selected fasteners. Make sure the Monitor Brackets are vertically centered and level with each other. Secure the bolts with a Phillips Screwdriver. **DO NOT** over tighten the bolts.

**⚠ WARNING DO NOT LAY THE TELEVISION FACE DOWN ON THE GLASS**



Please call for replacement parts or assistance: 1-866-942-5362

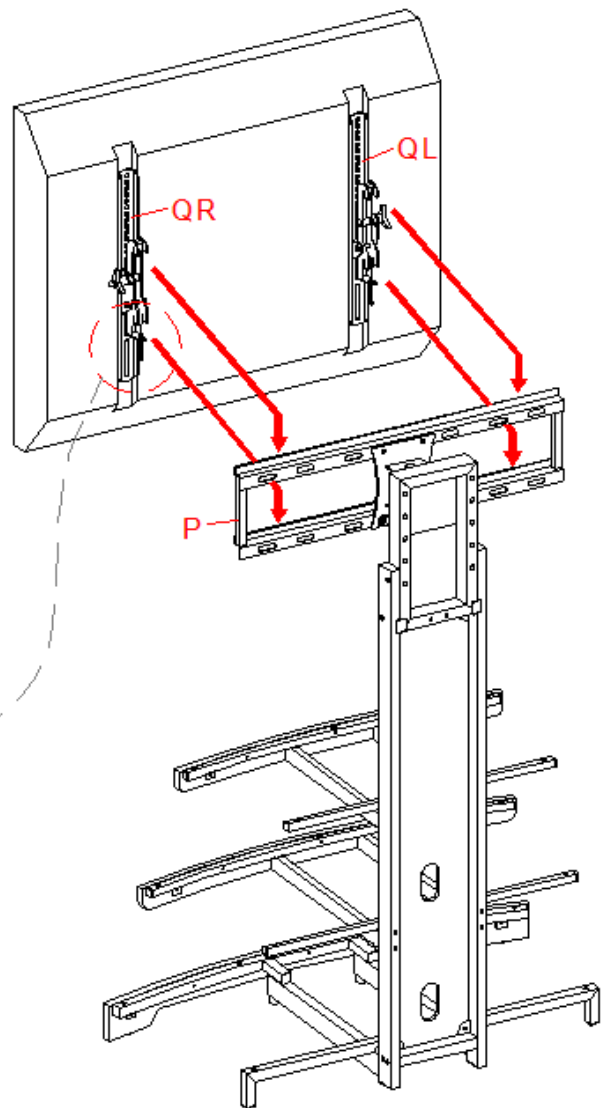
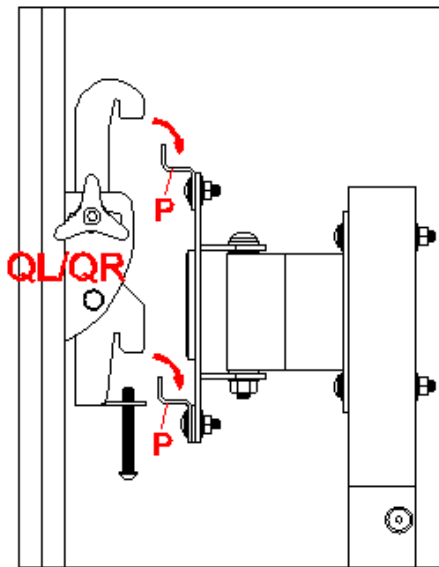
Whalen Furniture Mfg. Inc.

Page 13

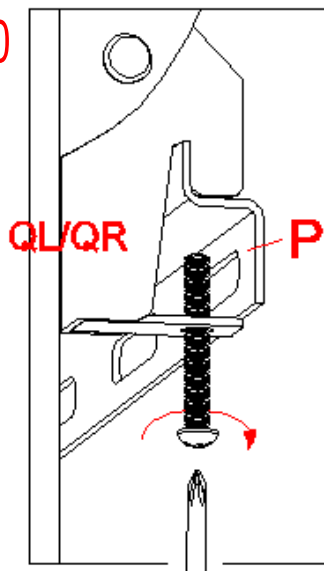
Factory No. 33- 10944

## Assembly Instructions

15. Once the Monitor Brackets (QL/QR) are attached onto the back of television, ask for assistance to lift the television up to attach the Monitor Brackets onto the XYZ Mounting Frame (P). Set the hooks on Monitor Brackets over the Mounting Frame then lower them onto the bars of Mounting Frame. Loosen the Safety Bolt pre-attached on the Monitor Brackets to ensure an easy fit at the bottom hooks. Proceed to center the television.
16. If you want to adjust the tilt, ask for help from your friends to hold the TV steady before you start to adjust. Simply turn the both Tilt Adjustment Knobs on Monitor Brackets (QL/QR) to adjust your TV to provide optimum viewing and minimize glare. When the TV is in its intended position, tighten both safety bolts with a long Phillips Screwdriver until they hit underside of XYZ Mounting Frame (P) to ensure your TV is safe and secure on the wall. See detail #10.



Detail #10



Tighten until safety bolt hits  
underside of Mounting Frame

Please call for replacement parts or assistance: 1-866-942-5362

Whalen Furniture Mfg. Inc.

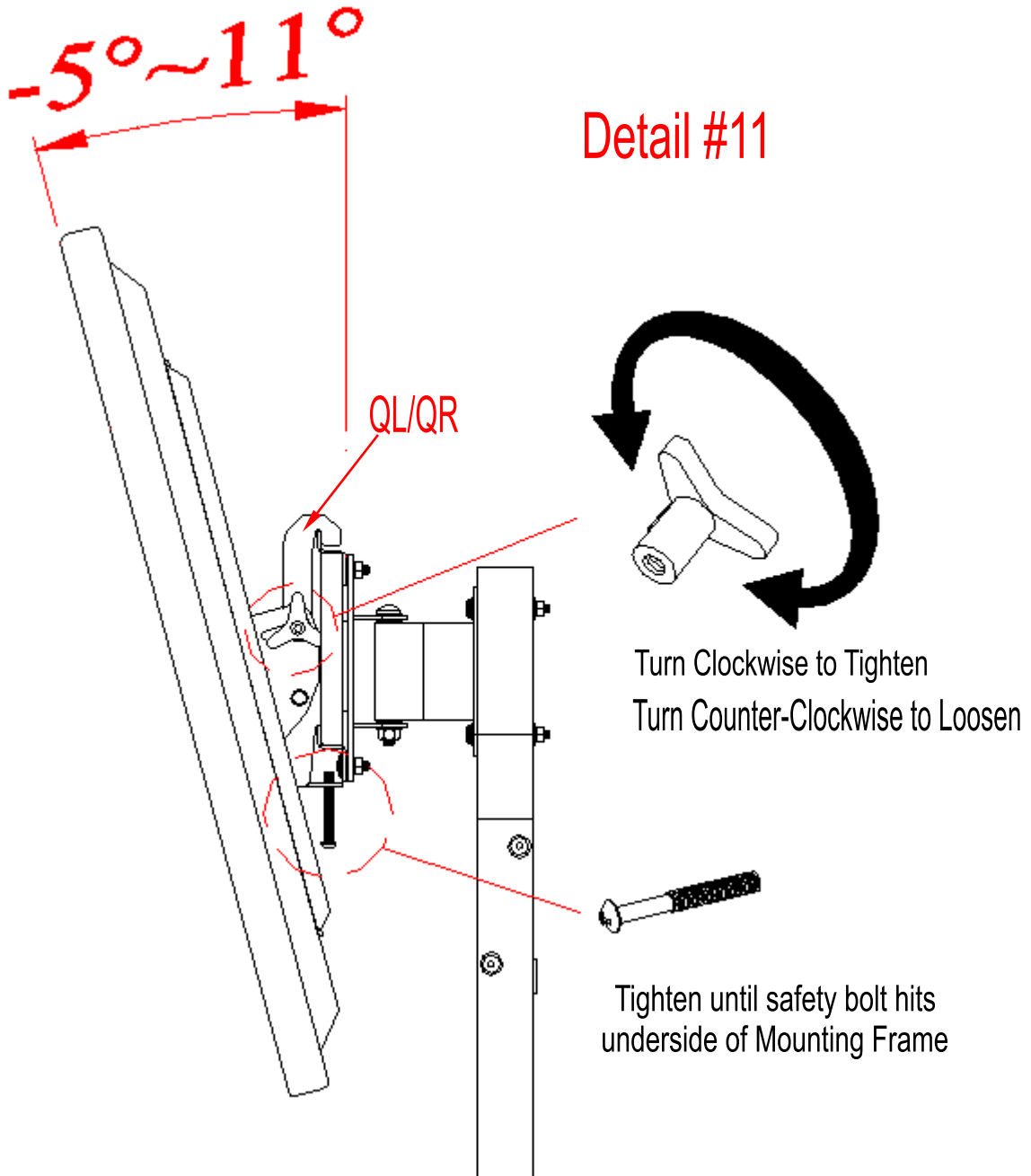
Page 14

Factory No. 33- 10944

## Assembly Instructions

17. The Monitor Brackets (QL/QR) can tilt up to 11° downward and 5° upward, depending on your optimum viewing position. Have your assistant hold the TV steady before you start to adjust the tilt. Simply reach behind the TV and turn the both Tilt Adjustment Knobs with enclosed 3/16" Allen Wrench to adjust your TV to provide optimum viewing and minimize glare. When the TV is in its intended position, tighten both safety bolts to secure it in place. See detail #11.

Note: If you need to remove the TV, make sure both Safety Bolts are disengaged fully.

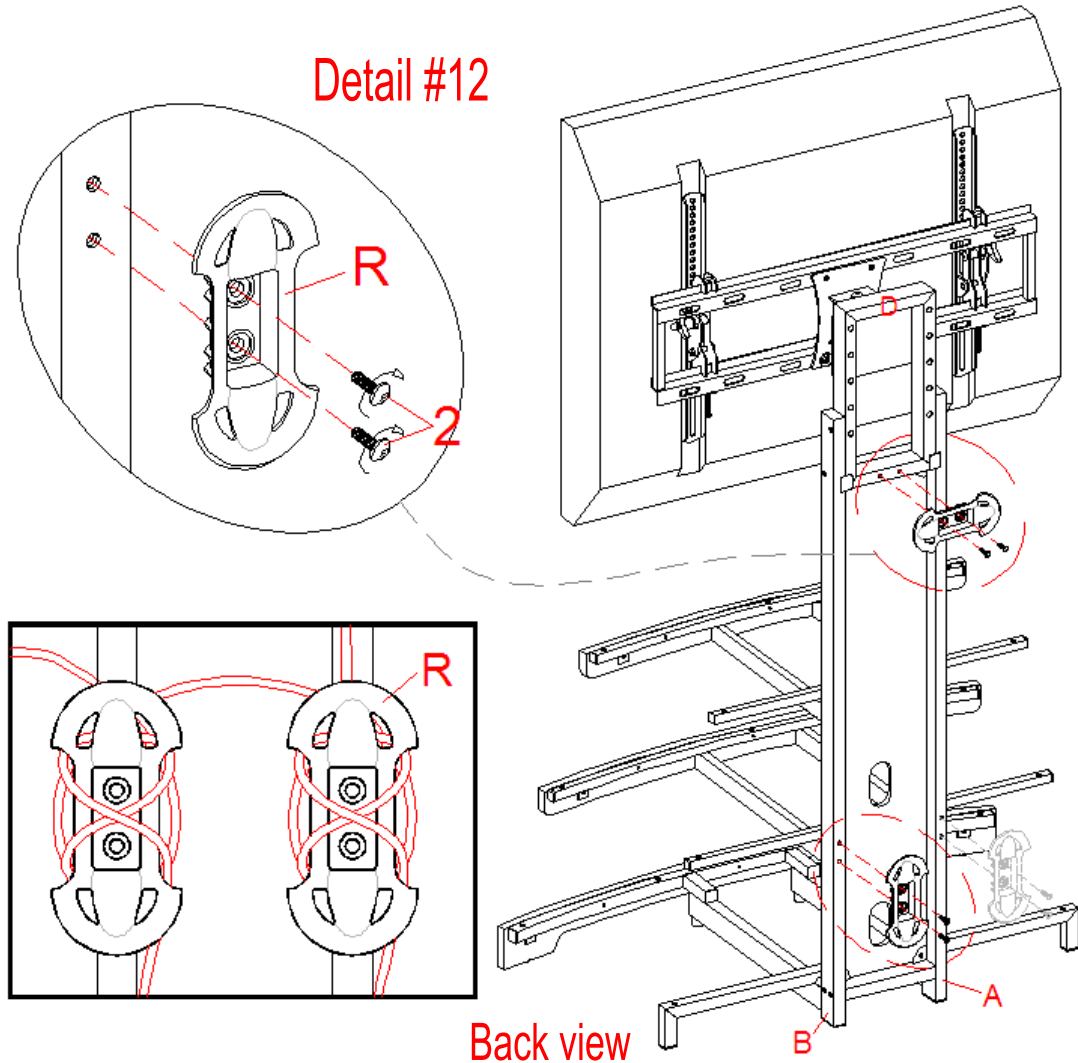


Please call for replacement parts or assistance: 1-866-942-5362

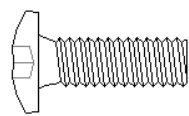
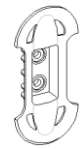
## Assembly Instructions

18. Attach 2 Cable Controls (R) onto the backside of assembled unit with the 3/4" Bolts (2). Tighten the bolts with M4 Allen Wrench provided. See detail #12.
19. The Cable Controls (R) enable you to shorten, separate and route cables and cords. Using the Cable Controls you can create a system for routing cables through channels, between components and to power sources without usual tangled mess or annoying signal interference. As shown in detail #12.

Detail #12



Back view

| Required hardware in this step         |   |   |
|--|---|---|
| Description:                           | (2) 3/4" Bolt   | (R) Cable Control   |
| Sketch                                 |  |  |
| Qty.                                   | (4 pcs)   | (2 pcs)   |
| <u>Tools required:</u> M4 Allen Wrench |   |   |

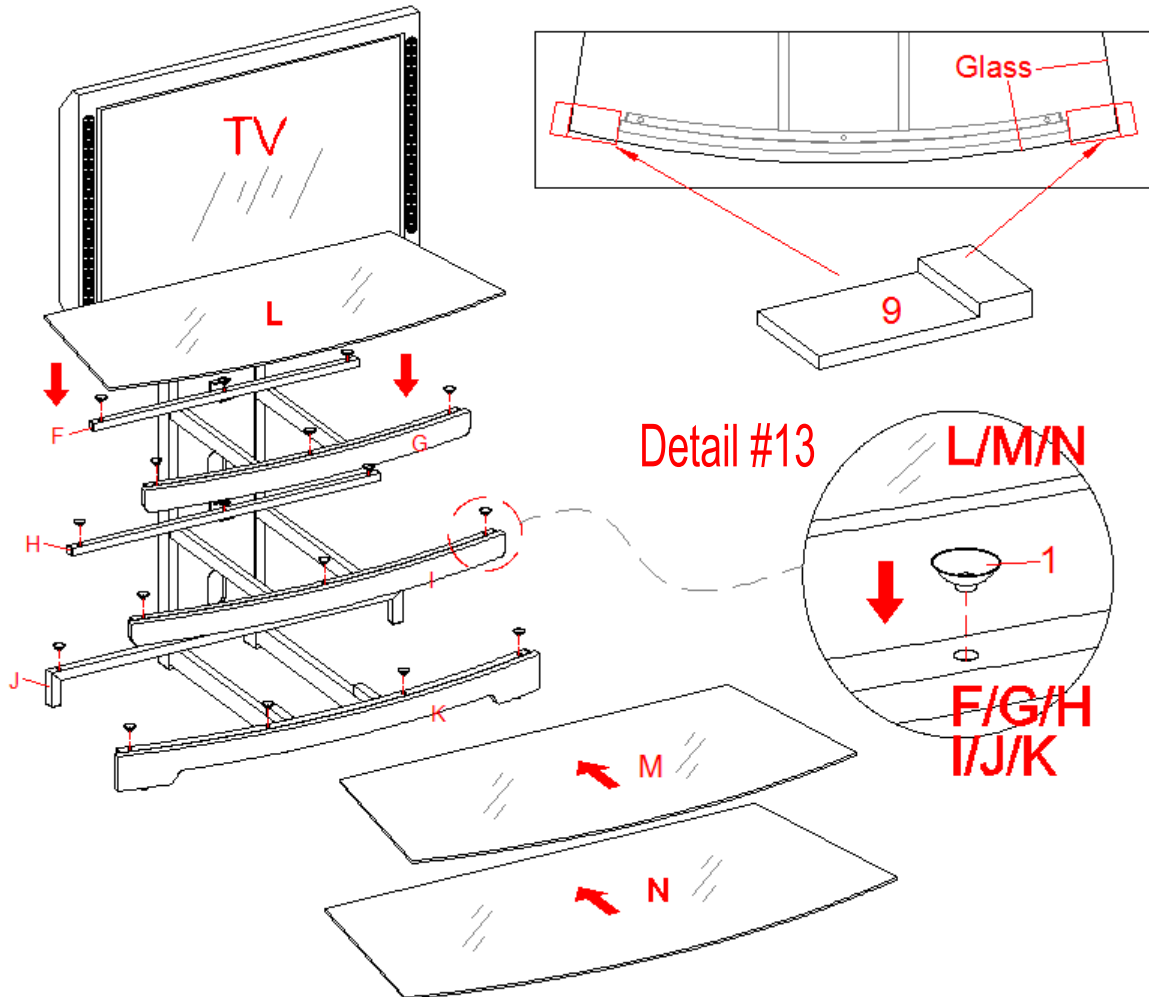
Please call for replacement parts or assistance: 1-866-942-5362



## Assembly Instructions

20. Put Suction Cups (1) firmly into the top holes on Crossbars & Stringers (F, G, H, I, J & K) as shown in detail #13.
21. Set Top Glass (L) & Glass Shelves (M & N) in place starting with Bottom Glass Shelf (N) as shown in detail #13. Make sure the black side of glass is down. Using the provided Glass Alignment Template (9) to ensure each glass is centered properly. Push each glass all the way back against the post of Left & Right Side Frame.

**Note:** If glass is scratched you can minimize the damage by using a BLACK marker and filling in scratched area from underneath.



| Required hardware in this step           |   |
|--|---|
| Description:                             | (1) Suction Cup      (9) Glass Alignment Template |
| Sketch                                   |   |
| Qty.                                     | (19 pcs)                      (1 pce)             |
| <u>Tools required:</u> No tools required |   |

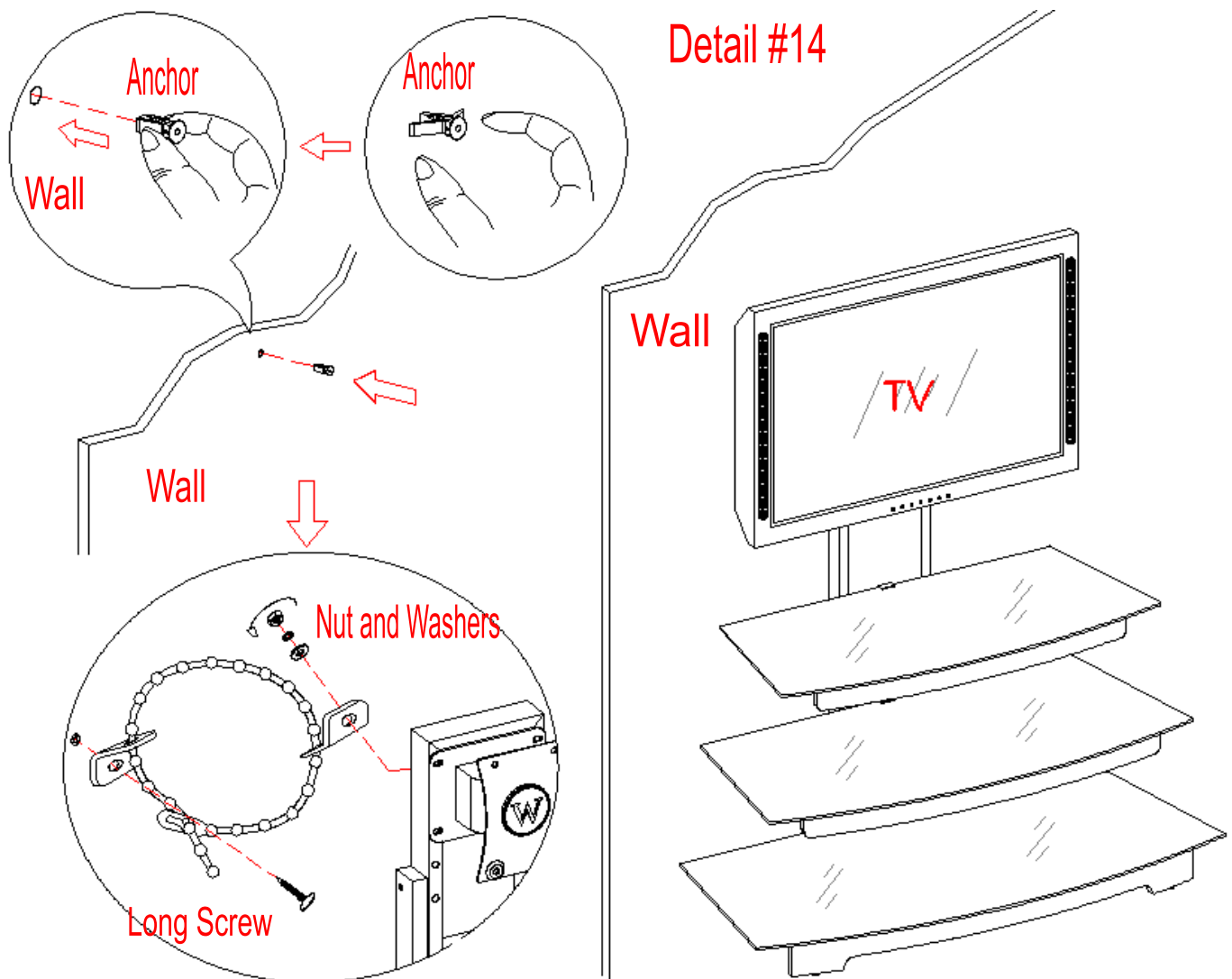
Please call for replacement parts or assistance: 1-866-942-5362

## Assembly Instructions

22. Carefully move the console and position in your desired location against the wall. Now follow the instructions printed on the plastic bag containing Tipping Restraint Hardware to mount the Tipping Restraint Hardware Kit to the console and wall. As shown in detail #14.

Note: You must install the Tipping Restraint Hardware with the unit in use to prevent any accidents or damage to the unit.

23. You can enjoy your home entertainment center now. Swivel left-or-right for optimum viewing control.



Tools required: Allen Wrench (provided), Phillips Screwdriver, Mallet, Power Drill, and 3/8" Drill Bit.

Please call for replacement parts or assistance: 1-866-942-5362

Whalen Furniture Mfg. Inc.

Page 18

Factory No. 33- 10944

## Care and Maintenance

- Use a soft, clean cloth that will not scratch the surface when dusting.
- Use of furniture polish is not necessary. Should you choose to use polish, test in an inconspicuous area first.
- Using solvents of any kind on your furniture may damage the finish.
- Never use water to clean your furniture as it may cause damage to the finish.
- Always use coasters under beverage glasses and flowerpots.
- Liquid spills should be removed immediately. Using a soft clean cloth, blot the spill gently. Avoid rubbing.
- Always use protective pads under hot dishes and plates. Heat can cause chemical changes that may create spotting within the furniture finish.
- Stains or marks from crayons or ink markers will be difficult to remove.
- In the event that your furniture is stained or otherwise damaged during use, we recommend that you call a professional to repair your furniture.
- Check bolts/screws periodically and tighten them if necessary.

## Further advice about furniture care

It is best to keep your furniture in a climate-controlled environment. Extreme temperature and humidity changes can cause fading, warping, shrinking and splitting of wood. It is advised to keep furniture away from direct sunlight as sun may damage the finish.

Proper care and cleaning at home will extend the life of your purchase. Follow these important and helpful tips that will enhance your furniture as it ages.

**A Touch-up Pen has been provided to repair any small nicks or scratches that may occur during assembly or shipping.**

We hope you enjoy your purchase for many years.

Thank you for your purchase!

## QUALITY GUARANTEE

We are confident that you will be delighted with your Whalen Furniture purchase.

Should this product be defective in workmanship or materials or fail under normal use, we will repair or replace it for up to one (1) year from the date of purchase. Every Whalen Furniture product is designed to meet your highest expectations. We guarantee that you will immediately see the value of our fine furniture.

This warranty gives you specific legal rights and you may also have other rights which vary from State to State.

Customer Service: 1-866-942-5362

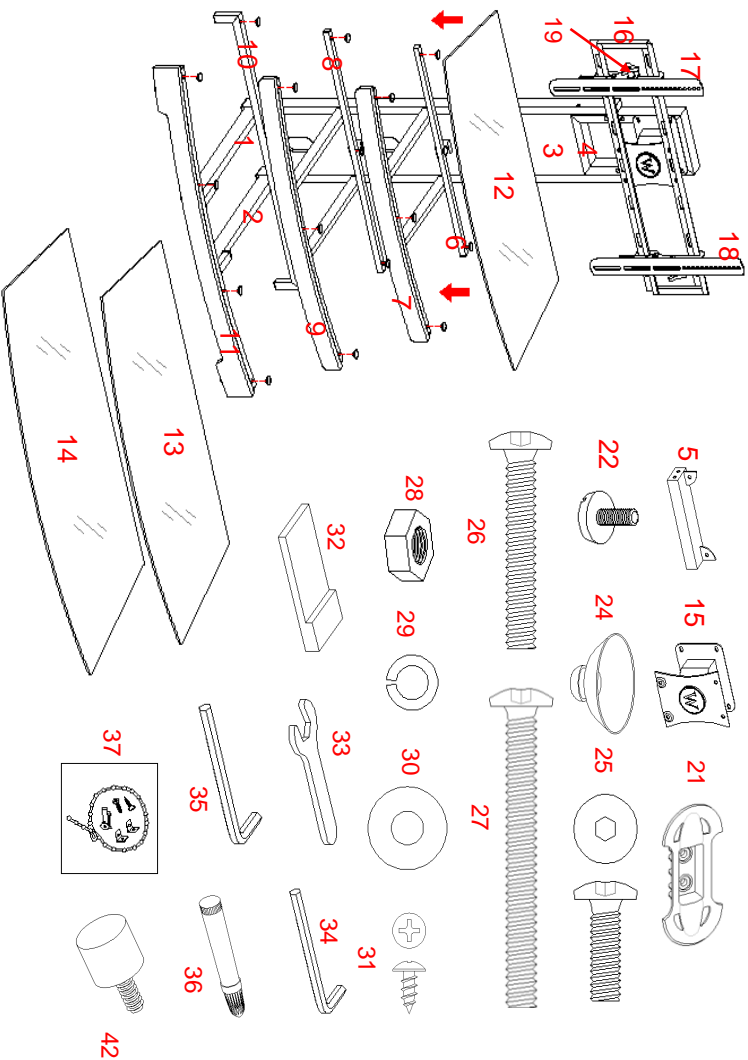
8:30 a.m. - 4:30 p.m. PST, Monday to Friday

**[www.whalenstyle.com](http://www.whalenstyle.com)**

**Please call for replacement parts or assistance: 1-866-942-5362**

IF YOU NEED TO ORDER PARTS PLEASE USE THE LIST BELOW

Flat Panel Console (PRO-9)



|               |                       |                  |                                  |                   |                                     |
|---------------|-----------------------|------------------|----------------------------------|-------------------|-------------------------------------|
| *PRO-9-1-LSF  | Left Side Frame       | *PRO-9-15-SB     | Swiveling Bracket                | *PRO-9-29-LW      | Lock Washer                         |
| *PRO-9-2-RSF  | Right Side Frame      | *PRO-9-16-MF     | XYZ Mounting Frame               | *PRO-9-30-FW      | Flat Washer                         |
| *PRO-9-3-BP   | Back Panel            | *PRO-9-17-LMB    | Left Monitor Bracket             | *PRO-9-31-#3 x 9S | #3 x 9 mm Screw                     |
| *PRO-9-4-BTF  | Back Top Frame        | *PRO-9-18-RMB    | Right Monitor Bracket            | *PRO-9-32-GAT     | Glass Alignment Template            |
| *PRO-9-5-BBS  | Back Bottom Stretcher | *PRO-9-19-TAK    | Tilt Adjustment Knob             | *PRO-9-33-OW      | Open Wrench                         |
| *PRO-9-6-TC   | Top Crossbar          | *PRO-9-20-SB     | Safety Bolt (on Monitor Bracket) | *PRO-9-34-M4AW    | M4 Allen Wrench                     |
| *PRO-9-7-TS   | Top Stringer          | *PRO-9-21-CC     | Cable Control                    | *PRO-9-35-3/16AW  | 3/16" Allen Wrench                  |
| *PRO-9-8-MC   | Middle Crossbar       | *PRO-9-22-SFL    | Small Floor Leveler              | *PRO-9-36-TUP     | Touch-up Pen                        |
| *PRO-9-9-MS   | Middle Stringer       | *PRO-9-23-CH     | Complete Hardware                | *PRO-9-37-TRHK    | Tippling Restraint Hardware Kit     |
| *PRO-9-10-BB  | Bottom Brace          | *PRO-9-24-SC     | Suction Cup                      | *PRO-9-38-TVMK    | TV Mounting Kit                     |
| *PRO-9-11-BS  | Bottom Stringer       | *PRO-9-25-3/4B   | 3/4" Bolt                        | *PRO-9-39-SPEC    | Small Plastic End Cap (15 x 15 mm)  |
| *PRO-9-12-TG  | Top Glass             | *PRO-9-26-1 1/2B | 1-1/2" Bolt                      | *PRO-9-40-MPEC    | Medium Plastic End Cap (20 x 20 mm) |
| *PRO-9-13-MGS | Middle Glass Shelf    | *PRO-9-27-2 1/4B | 2-1/4" Bolt                      | *PRO-9-41-LPEC    | Large Plastic End Cap (20 x 40 mm)  |
| *PRO-9-14-BGS | Bottom Glass Shelf    | *PRO-9-28-HN     | Hex Nut                          | *PRO-9-42-LFL     | Large Floor Leveler                 |